

A2.



Instructions for the use and care of Microwave Oven ZM700

Contents

BASIC OVEN FEATURES	3
INSTALLATION AND ELECTRICAL CONNECTION	4
Important Facts You Should Know	5
FEATURES	6
USING THE MICROWAVE OVEN	8
The Time of Day Clock	8
Microwave Cooking	
with Time or Temperature	8
Tips On Using the Microwave Oven	9
Use of Metal Rack	9
Rack Insertion	9
OVEN OPERATION	10
The Variable Power Feature	10
Operating with Time and Variable Power	11
The Boost Feature	11
OPERATING WITH TEMPERATURE, (FOOD TEMP. PROBE & AUTOMATIC HOLD-WARM)	12
Operating with Temperature	13
How to Insert Food Temperature Sensor in Meats	15
Tips for Using the Food Temperature Probe	16
COOKING WITH MEMORIES	18
Using Delay Start	21
The Timer	22
Speed Defrost with Memory	22
MEAL-IN-ONE	23
TIME SAVER COOKING	24
TIME SAVER DEFROST	26
CLEANING AND MAINTENANCE	29
QUESTIONS AND ANSWERS	30
WHAT HAPPENS IF SOMETHING GOES WRONG	31

Important: the use of this new appliance is quite simple.

However, to obtain the best results, it is recommended that you carefully read this handbook and follow all instructions prior to operating the appliance for the first time. This handbook provides all necessary instructions for a correct installation, use and care of the appliance and also gives a number of useful hints.

Basic Oven Features

With your new microwave oven, you can enjoy the speed and convenience of a full-featured family-size microwave oven. Be sure to carefully read this Use and Care Manual and your cookbook to learn how to fully use and enjoy the oven.

Microwave cooking enables you to cook, reheat, roast, simmer, hold-warm and even defrost with speed and convenience. Because microwave cooking is cool cooking, ovens and dishes are easy to clean. Food is tasty and attractive. Basic cooking techniques are as important when microwave cooking as they are in conventional cooking. These basics are described throughout your cookbook.

Start with something easy; heat a cup of coffee in a mug for 1½ minutes; but open the door at any time and check if the coffee is as hot as you like it. Next, try heating leftovers on a dinner plate. An average serving takes about 3-4 minutes; look for steam or touch the food. Casseroles and vegetables are also easy things to do. Wait until you are comfortable with microwave cooking before you try a roast. Open the door, look and taste the food at any time while cooking so you get the results you like. If additional time is needed, add time gradually; usually about 1/8th of the original time is a good starting point.

Use your cookbook to learn about microwave cooking and use your Use and Care Manual to learn how to operate your oven.

The following is a brief description of the special cooking features of your oven. They are described in more detail throughout the manual.

Time Saver Cooking

Commonly used power levels and time combinations are pre-programmed to save you time.

Time Saver Defrosting

Special automatic 4 stage defrost cycle gradually reduces power level to provide faster defrosting with excellent results.

Variable Power

Allows total flexibility in choosing the speed (microwave power) of cooking which will give you the best cooking results for each type of food.

Food Temperature Probe With Automatic Hold-Warm

Takes the guesswork out of microwave cooking by allowing you to cook to an internal temperature. To be used when cooking joints, beverages, soups and sauces, when the selected temperature is reached the "warm" setting will take over to hold the food until it is required.

Meal-In-One Cooking

With your new microwave oven, you can now microwave a two or three dish meal at one time. Two levels allow you to do fast and slow cooking foods together because slower cooking occurs on the shelf level when another food is on the rack.

Touch Control With Memories

Your touch control feature allows you the benefit of easy cleaning with the flexibility of programmed cooking with memories. You can programme your oven at one time to automatically change power setting, time or temperature and remind you to stir or add ingredients.

Time of Day Clock

The time of day clock is always ready with the time of day whether your oven is in operation or not.

Delay Start

You can programme your oven up to 12 hours in advance (including cooking time) and walk away. Food will be hot and tasty when you want it.

Boost

A burst of full power for 30 seconds to quickly heat food which only requires warming, or for finishing off a dish which needs only a little more cooking.

Installation and Electrical Connection

Important: The installation of the oven and connecting it to electricity must always be done by competent installers to standards and regulations currently in force.

For installation and electrical connection instructions please refer to the separate leaflet provided.

Important Facts You Should Know **Some tips on cooking**

Safety Precautions

Do Not attempt to operate the oven with the door open by tampering with the safety interlocks.

Do Not place any object between the oven front face and the door or allow the sealing surfaces to accumulate dirt.

Do Not operate the oven if it is damaged in any way.

Do Not attempt to have the oven adjusted or repaired by anyone other than properly qualified personnel.

Cookware

As microwaves heat only the food, it is possible to serve in the same dish you used for cooking. The dish is warmed only slightly through the heat of food. You can cook in almost any type of ceramics except those with gold, silver or platinum decoration. However, it is recommended to use completely baked ceramic dishes.

Any heat-resistant cookware can be used. However, care should be taken when using fragile glassware since abrupt heating and cooling may break them.

Some plastics, such as melamine or urethane, are not recommended because microwaves may warp or crack them through heating by microwaves or conduction of heat from the food. For further information, see your microwave cook book.

The microwave oven cooks much faster than conventional ovens. You will have to rely more on the times than on the appearance because the food is cooked inside and out almost simultaneously. Check the food periodically until you become familiar with this modern way of cooking. Remember the cooking time may require adjusting according to your taste and because the food itself will vary in weight, tenderness and shape.

Features

Adjustable Metal Oven Rack

Used when cooking complete meals or when using more than one dish in the oven. Rack should be removed when not being used.

Stirrer Cover

This plastic cover protects the microwave stirrer blades from soil or bending. Stirrer cover should not be removed.

Safety Interlock System

Interlocking system which assures the oven cannot be operated with the door open. Automatically shuts the oven off when the door is opened.

Touch Control Panel

Touch control panel for easy cleaning and programme flexibility; (more detailed picture on next page).

Easy Clean Interior

Splatters are easily wiped out with soap and water, leaving a clean finish.

Probe Plug Socket

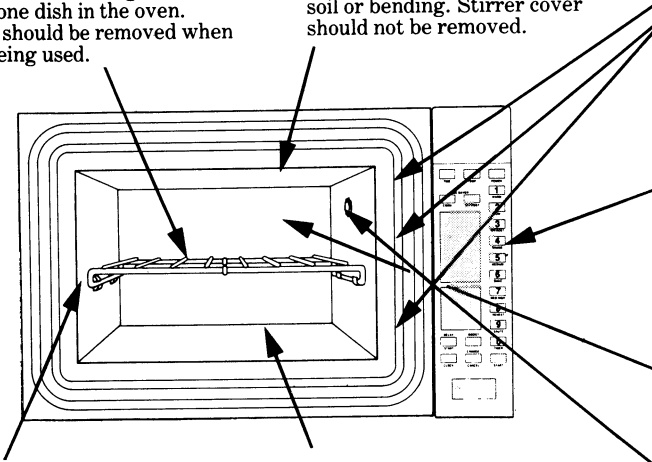
Where probe plug is inserted when cooking with temperature.

Rack supports

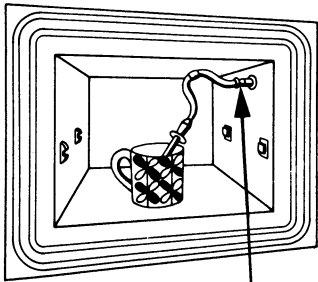
Used to support metal rack; upper rack level and lower rack level.

Sealed-In Ceramic Shelf

The durable ceramic shelf is sealed in for easier cleaning.



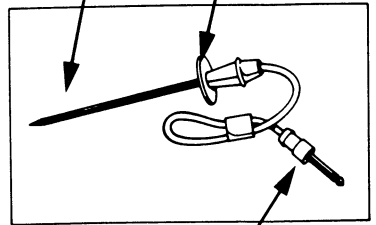
Food Temperature Probe



PROBE PLUG SOCKET

SENSOR — First 12 mm of pointed metal portion of probe that is inserted or placed into food to sense internal temperature.

PROBE HANDLE



PLUG — End of temperature probe that is inserted into probe socket.

Touch Control Panel

MEMORY 2 Indicator Light

TEMP. PROBE Indicator light

MEMORY 1 Indicator Light
HOLD-WARM Indicator light

DELAY START Indicator light

TIME Pad. Used in setting the time.

TEMPERATURE Pad. Used in setting the temperature.

TIME SAVER COOK Pad. Used in setting the time saver cooking function.

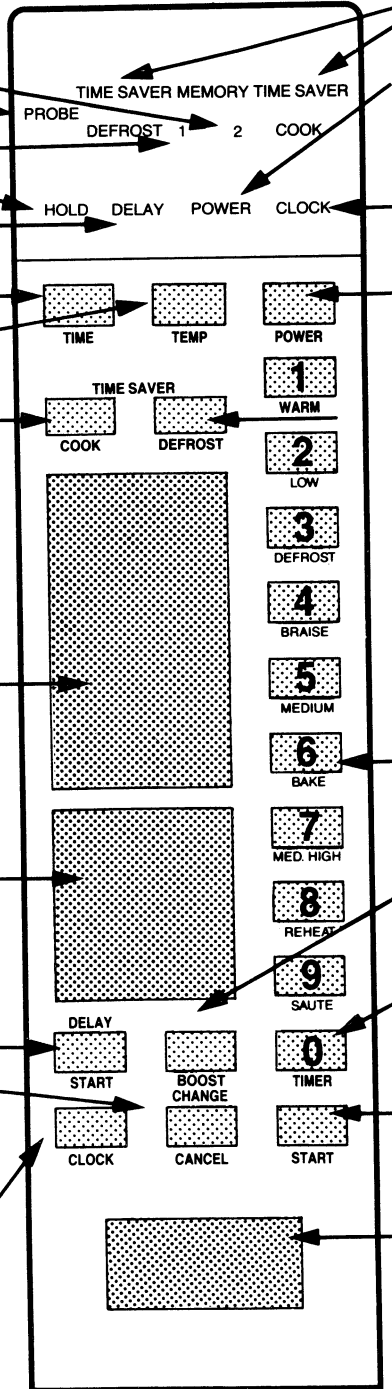
TIME SAVER Cooking Guide

TIME SAVER Defrost Guide

DELAY START. Used for automatic operation

CHANGE/CANCEL Pad. Change entry (time, temperature or Power setting) by pushing once. Cancel entire programme by pushing twice.

CLOCK used in setting time of day clock.



TIME SAVER Indicator Lights

POWER Indicator Light

Display Window. Shows time or temperature setting and power level.

CLOCK Indicator light

POWER Pad. Used to select or recall power level settings.

TIME SAVER DEFROST Pad. Used in setting the time saver defrost function.

VARIABLE POWER LEVELS. Selected by pushing numbers above the words. Used with Power Pad to select whether oven will operate on WARM, LOW, DEFROST, BRAISE, MEDIUM, BAKE, MED. HIGH, REHEAT, OR SAUTE.

NUMBER Pads. Push to enter cooking times, temperatures Power Level or Minute Timer.

BOOST Pad. Used in selecting a burst of full power for 30seconds.

MINUTE TIMER. Operates as conventional minute minder, or cook/rest timer when cooking by time.

START Pad. Starts cooking after programme is entered and restarts cooking after door has been opened and closed.

OVEN DOOR RELEASE. Push down to open door.

Using the Microwave Oven

To ensure maximum satisfaction from your microwave oven we would like to advise you of some precautions to observe when using your new microwave cooking appliance.

Before using for the first time be sure that all packing materials and the oven rack are removed.

Do Not use the oven for storage when it is not in use.

Do Not attempt to run the oven with no food in it.

Do Not let the timer continue to operate after removing a food, return the timer to zero.

Do Not attempt to cook or reheat eggs in the shell in the microwave oven: they may explode.

Above all, this is a cooking appliance designed to prepare food. Whilst microwave ovens do not generate heat to cook food the food item and possibly the container may become hot. Therefore precautions that are taken with conventional cooking should also be observed when cooking with microwaves.

The Time of Day Clock

- After plugging in the oven or after a power cut the Display will be blank. Set clock using the following instructions.
- If set, the time of day will always be displayed when no other cooking function is being used.
- If Time of Day Clock is not set, a colon will appear in the Display for 5 minutes after cooking, then the Display will be blank.

- To check the time of day when programming your oven or cooking, push the CLOCK Pad. Time of day will be displayed until the START Pad is pushed.

Setting the Clock

1. PUSH CLOCK PAD. Clock Indicator Light will come on. If changing, already operating Time of Day Clock, no change occurs in the Display Window.
2. PUSH CHANGE/CANCEL PAD ONCE. If setting the clock for the first time, no change will occur in the Display Window.
3. SET THE TIME OF DAY BY PUSHING THE APPROPRIATE NUMBER PADS. The time you set will appear in the Display Window.
4. PUSH START PAD. The Time of Day Clock will not be activated until the START Pad is pushed. Time will change in one minute increments.

Microwave Cooking

With Time or Temperature

Microwave cooking is controlled with either time or temperature. Microwave with temperature is ideal when the internal temperature is the indication of doneness, such as roast or beverage. (Detailed instructions for microwaving with temperature are on pages 13 & 14). Use time when visual appearance, taste or touch is the indication of doneness, such as a potato, cake or sauce. (Detailed instructions for microwaving with time are on page 11).

Tips on Using the Microwave Oven

- Be sure to carefully read your cook book and become familiar with the results to expect.
- Always start with the minimum cooking time given in the book and add time as needed to obtain the doneness desired. Each recipe gives you a suggested cooking time and indication of doneness. Use the cooking time as a guide and follow the doneness test carefully.
- The door can be opened any time during the cooking operation; the oven will automatically stop cooking and the time or temperature setting will maintain until the door is closed and the START Pad is pushed.
- A microwave oven is used for defrosting, heating or cooking foods. It should not be used for such things as drying non-food items such as flowers, canning, or cooking or re-heating hard cooked eggs with or without the shell.
- Be sure to read each recipe carefully as dish size, arrangements, stirring, and standing time are important in obtaining good results.

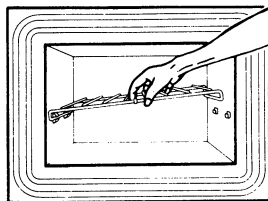
Use of Metal Rack

- Use the oven rack only when cooking more than one food item.
- There are two rack positions, “upper” rack position and “lower” rack position.

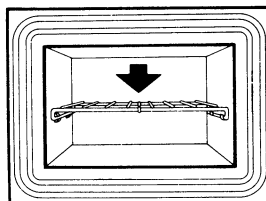
Rack Insertion

NOTE: Make sure to insert rack properly.

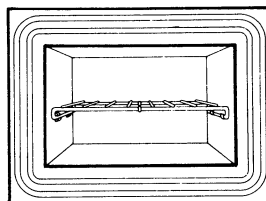
1. Tip rack slightly, left side down and insert in oven. Slide rack into left rack supports.



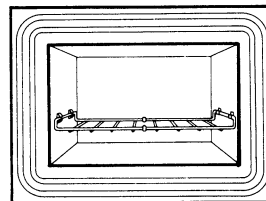
2. Set other side on right rack supports. Push down gently to secure in place and push rack back as far as it will go. To remove — lift up on right side, then tilt gently pulling rack out of left supports.



“Upper Rack” Position



“Lower Rack” Position



Oven Operation

The Variable Power Feature

Variable power includes settings from 100% (HIGH) or full power to 10% (WARM). The 100% setting provides the greatest speed of microwave cooking. The settings between 100% and 10% represent decreasing amounts of microwave speed. The cookbook supplied with your oven describes which setting to use for each type of food.

This feature gives you total flexibility in choosing the speed (or microwave power) of cooking which will give you the best result for each type of food. As with conventional cooking, some foods require slower or more gentle microwave cooking. Other foods need to cook slower so heat from the outside has enough time to conduct into the centre of the food.

Variable Power gives you the flexibility to choose the microwave speed that is right for the food you're cooking.

Basic uses are as follows:

10% WARM

Softening cheese and butter, raising bread, holding food warm

20% LOW

For small amounts of food you want to cook very slowly; clarify butter, melt chocolate, heat prebaked breads, pancakes, pastries

30% DEFROST

40% BRAISE

Use for slow cooking of less tender cuts of meats

50% MEDIUM

Stews and soup, to start quick breads and cakes

60% BAKE

Cakes and quick breads will cook fast

70% MEDIUM HIGH

Roast beef, meatloaves, ham

80% REHEAT

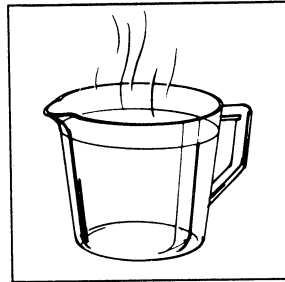
Reheating precooked foods and leftovers

90% SAUTE

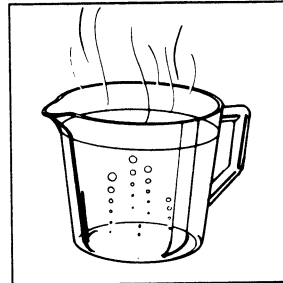
For cooking onions, celery, green peppers and other foods that cook quickly

100% HIGH

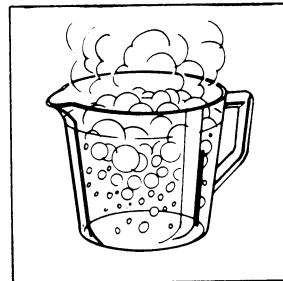
Full power for vegetables, fish, hot beverages, grill, Meal-In-One cooking. Preheating microwave browner



WARM



MEDIUM



HIGH

Operating with Time & Variable Power

Each recipe in the cookbook gives the approximate cooking time. Start with the shorter time and add time if needed. The cookbook is only a guide, as food temperature and density can vary the time.

- 1 OPEN DOOR: Interior light comes on.
- 2 PLACE FOOD IN OVEN, CLOSE DOOR: The light will go off. The oven is now ready to programme.
- 3 PUSH THE TIME PAD: A colon will appear in the display and the indicator for "Memory 1" will be displayed.
- 4 SET THE DESIRED TIME: Push the appropriate Number Pads. The time will appear on the Display. For example, to set the time for 5 min. 30 secs., press 5,3,0.
- 5 PUSH THE POWER PAD: "HI" appears in the Display Window. This is to remind you that the oven will always operate at full power unless you change the Power Setting. The indicator for Power will be displayed.
- 6 SELECT THE POWER SETTING YOU DESIRE: Push the Number Pad next to the desired setting. For example, if the recipe calls for cooking at the Bake setting, you would push number "6" (the number next to BAKE on the panel). The Display will read "60". This means that the oven is operating at 60% of full power.
- 7 PUSH THE START PAD: Time will begin to count down. A tone sounds three times when the time is up. The oven automatically stops cooking and the oven light and fan will switch off.
- 8 OPEN DOOR, REMOVE FOOD. CLOSE DOOR.

To Check

Power Setting

1. Push Power Pad. Variable power setting will appear in Display.
2. Push START Pad to return to time counting down.

To Change

Time

1. Push TIME Pad.
2. Push CHANGE/CANCEL Pad once, Display will clear.
3. Enter new time.
4. Push START Pad and oven will resume operation with new time counting down in Display.

Power Setting

1. Push POWER Pad.
2. Push CHANGE/CANCEL Pad once. "HI" will appear in Display.
3. Enter new Power setting.
4. Push START Pad and oven will resume operation at new Power setting.

The Boost Feature

The boost feature is a convenient pre-programmed setting which gives a 30 seconds burst of full power. Use it to finish off a dish which requires just that little extra cooking, or to quickly warm foods e.g. bread rolls, melting cheese and heating small sandwiches.

Operation

With food in the oven and the door closed -

1. Push BOOST Pad: The indicator for "Memory 1" will be displayed and 30 will appear on the display.
 2. Push START Pad: The time will begin to count down. After 30 seconds a tone sounds three times. The oven automatically stops cooking and the oven light and fan will switch off.
- Please note:** The BOOST feature cannot be used when cooking with temperature or in the middle of a programme.

Operating With Temperature, (Food Temperature Probe & Automatic Hold-Warm)

The food temperature probe is used as a guide when cooking, reheating, or warming food by temperature. When the probes' sensor is in place in the food and the probes' plug is inserted in the probe plug socket the oven can cook by judging the internal temperature of the food. After the set temperature is reached, the oven will automatically go into a Hold-Warm setting. The temperature probe aids in eliminating guesswork. Pages 15 and 16 of this Use and Care Manual give details on how to insert the food sensor for each food item.

Automatic Hold-Warm

The Hold-Warm feature allows you to keep food warm. Remember that the Hold-Warm will continue to operate until the food and the probe are removed from the oven and the timer has been cancelled or until 60 minutes has elapsed. As with conventional cooking, prolonged holding can result in overcooking. As a rule, do not hold an item over 1 hour; remember, with microwave speed, it is easy to reheat foods which have cooled off.

Food Temperature Guide

Internal temperature helps tell when food is "done". Temperatures listed below help you judge when food should be taken from a microwave oven.

- 40° — Cured ham, bacon, cured sausage, sandwiches.
- 52° — Rare beef roasts.
- 60° — Fish, meatloaf.
- 64° — Medium beef roasts.
- 66° — Minced beef, precooked main dishes, leftovers, canned vegetables, syrup.
- 68° — Well-done beef roasts.
- 70° — Soups, hot beverages, pork, veal and venison roasts, fresh ham.
- 82° — Poultry, rabbit, well-done leg of lamb.
- 90° — Sauces

Do's and Don'ts

Do insert Food Temperature sensor in thickest part of meat or in the centre of the food to reheat.

Do check that the first 12mm (1/2 inch) of sensor is inserted in the densest part of food to cook.

Do Not operate the oven **empty** with the Food Temperature probe in the oven.

Do Not let Food Temperature sensor touch the sides, bottom, top or door of oven interior when in operation.

Do Not use the probe in a conventional oven. It was specially designed for microwave cooking.

Do Not try to insert Food Temperature sensor in frozen food.

Do Not insert anything into the probe plug socket other than the probe that accompanies your oven.

Do Not clean Food Temperature Temp probe in dishwasher.

Operating with Temperature

After inserting the probe sensor into the food to be cooked:

- 1 OPEN DOOR:** Interior light comes on
- 2 PLACE FOOD IN OVEN:** Insert the temperature probe plug in the probe plug socket. "C" (for centigrade) will appear in Display. Close oven door. Fan will start. Oven is ready to programme.
- 3 PUSH THE TEMP. PAD.** The Indicator for "Memory 1" will be displayed.
- 4 SET THE DESIRED TEMPERATURE:** Push the appropriate Number Pads. The temperature will appear in the Display Window. Temperatures from 34°C to 94°C can be entered. (If temperatures below 34°C or over 94°C are entered, a tone will sound and Display will go blank, ready for re-setting of temperature).
- 5 PUSH THE POWER PAD:** "HI" appears in the Display Window. This is to remind you that the oven will always operate at full power unless you change the Power setting. The indicator for Power will be displayed.
- 6 SELECT THE POWER SETTING YOU DESIRE:** Push the Number Pad next to the Power word. For example, if the recipe calls for cooking at the BAKE setting, you would push number "6" (the number next to BAKE on the panel). The Display will read "60". This means that the oven is operating at 60% of full power.
- 7 PUSH THE START PAD:** "-34" will appear in the Display Window (or actual temperature if greater than 34°C) and as the food cooks, the temperature Display will increase in 2 degree increments. When the set temperature is reached a tone will sound three times and the oven automatically reduces power to 10% (Hold-Warm). When in Hold-Warm, the Display will show time counting down from 60 minutes to indicate how long you've been in Hold-Warm. The oven will continue to cook in Hold-Warm for 60 minutes or until CHANGE/CANCEL Pad is pushed, or door is opened (interrupts but doesn't cancel without CHANGE/CANCEL Pad).
- 8 OPEN DOOR, REMOVE PROBE AND FOOD. CLOSE DOOR.**

To Check

Temperature or Power Setting

1. Push TEMP Pad (for temperature) or POWER Pad (for power) and the selected setting will appear on the display.
2. Push START Pad to resume programme.

To Change

Temperature or Power

1. Push TEMP Pad (or POWER Pad if changing Power). Original Temperature (or Power) setting will appear in the Display.
2. Push CHANGE/CANCEL Pad once. If Temperature is being changed, Display will clear. If Power is being changed, "HI" will appear in the Display.
3. Enter new Temperature or Power setting.
4. Push START Pad and oven will resume operation at new Temperature or Power setting.

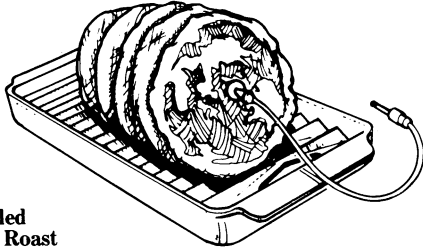
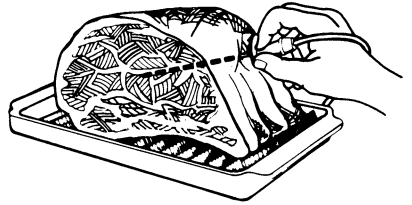
Meats

ROASTING MEAT KEY: Use fresh meat or frozen meat completely thawed. Place meat on microwave roasting rack set in glass baking dish. Standing times are important to allow meat to finish cooking by conduction. For detailed instructions of roasting meat, consult your cookbook.

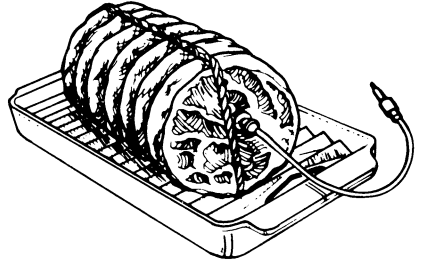
How to Insert Food Temperature Sensor in Meats

Boneless meat cuts

The Food Temperature sensor should be placed in the meat from the end and pushed toward centre of the fleshy part.

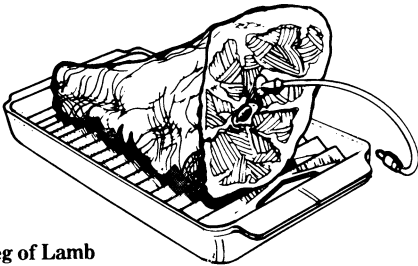


**Rolled
Rib Roast**

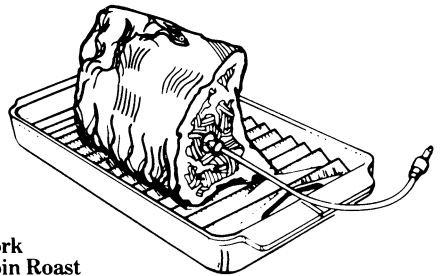


Bone-in meat cuts

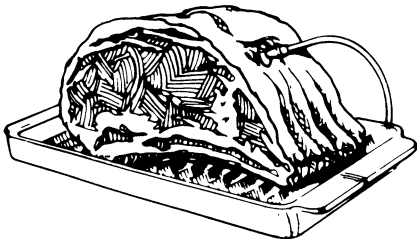
Insert the Food Temperature sensor in the fleshy part of the meat. Sensor should not come in contact with bone, marrow or pocket of fat.



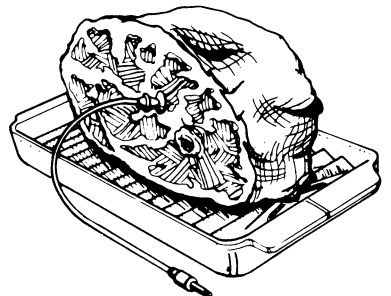
Leg of Lamb



**Pork
Loin Roast**



**Standing
Rib Roast**



Ham

Tips for Using the Food Temperature Probe

Unless otherwise stated, leave the power level set at high "HI".

APPETIZER: Place food sensor in centre of dip. Tip may touch bottom of dish. Set desired doneness (temperature) 54°C for most dips. Stir before serving.

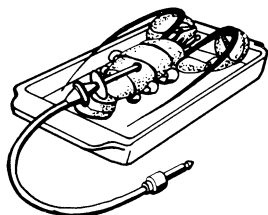
FROZEN FOOD AND CONVENIENCE FOOD: Be sure food is completely defrosted before inserting sensor. Insert food sensor in thickest, largest or densest portion of food. A temperature of 65°C is a good reheating temperature for precooked foods. Use REHEAT (80%) setting.

MAIN DISHES: Place food sensor in centre of a meatloaf. Sensor should not touch bottom of pan. Partly cover a casserole dish, if desired, with glass lid to shorten cooking time. Stir casserole before serving if no topping has been added. Standing times allow heat to penetrate food and finish cooking. (Consult cookery book for temperature and power settings).

SAUCE: Place food sensor in sauce. Sensor may touch bottom of dish. Heat to about 65°C.



SEAFOOD: Place food sensor in thickest part of lobster or in centre of the seafood casserole. Set desired final temperature, 70°C -75°C for most fish and seafood.



SOUPS AND BEVERAGES: Place food sensor in soup or beverage to be heated; the tip of sensor may touch bottom of dish. A temperature of 65°C or 70°C is ideal for drinking. When additional ingredients are added after heating set the oven to a higher temperature. The liquid soup heats faster, so soups with additional solid ingredients should be heated to a higher temperature. Disposable cups designed for use with hot beverages may be used to heat individual servings.

POULTRY: The probe may be used in whole poultry as just one indicator of doneness. However, because of the variables in cooking whole poultry (size, shape of bird), we suggest the conventional methods of testing doneness be used. Even in conventional cooking, meat thermometers cannot give an accurate measure of doneness of all parts of the bird. When using the probe with whole poultry, insert sensor in thickest part of breast meat. Remember to use conventional doneness tests to assure an accurate measure of doneness of poultry.

The food temperature probe can be used successfully for heating poultry casseroles. Place the sensor in centre of casserole; set desired final temperature (65°-75°C).

VEGETABLES: Place food sensor in centre of precooked vegetable to be heated. Vegetables should be heated to 65°C-75°C.

MEAL-IN-ONE: When temperature is used as doneness indicator for one food item in the meal, place probe as indicated under specific food category. (For best results use probe in densest food item.)

OTHER FOODS: The food sensor is a great help in the kitchen ... it cooks without guesswork. Use with your favourite recipes, especially those that instruct "DO NOT BOIL" because it allows greater control of temperature.

At times the same kinds of foods may vary in shape, form and density and therefore will not produce the same results each time. For this reason we do not recommend using this feature for thin food items and foods that require tenderizing by simmering.

In some cases the microwave oven may shut off prematurely; this indicates either that the probe is not inserted properly or that it should not be used with this type of food.

Experimenting is the key, so if you decide to use the probe for roasting poultry and cooking other food, remember to complement your evaluation of cooking by the conventional doneness tests.

Temperature Probe Reheating Guide

FOOD	POWER SETTING	TEMP. SETTING	
Beverages	“HI” HIGH	71°C	Place food sensor in centre of beverage glass. As a general rule: 49 to 54 = warm 54 to 66 = medium 66 to 77 = hot
Soups	8 REHEAT	71°C	Place food sensor in the centre of the soup.
Casseroles	8 REHEAT	66°C	Reheat precooked casseroles of uniform consistency. Place food sensor in centre of food.
Meat Sandwiches	8 REHEAT	49°C	Insert food sensor in thickest part of the sandwich to be warmed. The sensitive area of the sensor should be located in the sandwich filling.
Leftovers	8 REHEAT	66°C	Insert food sensor in the densest or largest amount of food.
Canned Vegetables	8 REHEAT	66°C	Place food sensor in centre of food to be microwaved. First 12mm of sensor should rest in middle of product.
Syrup	7 MEDIUM HIGH	66°C	Place food sensor in centre of the container.

Cooking With Memories

The oven has two memories which you can programme with any combination of a variable power setting and time or temperature. Many microwave recipes use different power settings at various times during the cooking process. The memory feature automatically changes power setting, cooking time or temperature. A tone will sound between memories to remind you that the memory is changing. This memory tone and the convenient indicator callouts, will help you know exactly where you are on your recipe. The following are common uses for the memory feature.

- Let the memory tone remind you to stir your sauce or add additional ingredients to a main dish or stew.
- Use memory with Minute Timer to time the rest time after defrosting or cooking.
- Cook a vegetable, then let it stand at zero power as specified in the recipe. The memory tones will tell you when your food is ready to serve.
- Bring your homemade vegetable soup to a boil and then change to MEDIUM (50%) to blend the flavours using memories.
- When microwaving cakes, begin the cooking process on MEDIUM (50%) to raise the batter and automatically change to HIGH (100%) to finish the cooking and set the cake.
- Programme a memory tone to remind you it's time to baste your chicken.
- Microwave less tender meat on HIGH (100%) to heat it through, then on MEDIUM (50%) to cook and tenderize. Memories will change these settings and times for you; the memory tone reminds you to turn the meat, if necessary.

Operating with Memories

Note: The oven memory will operate in either time or temperature, and can be changed from one to the other within the same programme.

- 1 OPEN DOOR:** Interior light comes on.
- 2 PLACE FOOD IN OVEN.** (If cooking by temperature, insert the food probe plug into probe plug socket and insert sensor into food.) Close door. Oven is ready to programme.
- 3 PUSH THE TIME OR TEMP PAD.** The Indicator for "Memory 1" will be displayed.
- 4 SET THE DESIRED TIME (OR TEMPERATURE):** Push the appropriate Number Pads. The time or temperature will appear in the Display Window.
- 5 PUSH THE POWER PAD:** The Indicator for Power will be displayed and "HI" appears in the Display Window. This is to remind you that the oven will always operate at full power unless you change the Power setting.
- 6 SELECT THE POWER SETTING YOU DESIRE:** Push the Number Pad next to the Power words. For example, if the recipe calls for cooking at the MEDIUM setting, you would push number "5" (the number next to MEDIUM on the panel). The Display Window will read "50". This means that the oven is operating at 50% of full power.

Memory (continued)

To enter next Memory:

- 7 PUSH THE TIME OR TEMP PAD:** The Indicator showing that you are in “Memory 2” will appear.
- 8 SET THE DESIRED TIME (OR TEMPERATURE):** Push the appropriate Number Pads. The time or temperature will appear in the Display Window. The “Memory 2” indicator will remain on.
- 9 PUSH THE POWER PAD:** The Power indicator comes on and “HI” appears in the Display Window. This is to remind you that the oven will always operate at full power unless you change the Power setting.
- 10 SELECT THE POWER SETTING YOU DESIRE:** Push the Number Pad next to the Power words. For example, if the recipe calls for cooking at the MEDIUM HIGH setting, you would push number “7” (the number next to MEDIUM HIGH on the panel). The Display Window will read “70”. This means that the oven is operating at 70% of full power.
- 11 PUSH THE START PAD:** Time for first memory will start counting down. (If Cooking by Temperature, -34 will appear in the Display for temperature and will increase with the actual temperature.) At the end of the first memory, a tone will sound once and the oven will automatically shift to the next memory. An indicator will remind you that the oven is cooking in the second memory. At the end of cooking, a tone sounds three times.

NOTE:

The oven will automatically stop cooking if cooking with time or will reduce to Automatic Hold-Warm if cooking with temperature. (Remember the oven will continue to operate in Hold-Warm until the food and probe are removed from the oven and the timer has been cancelled or until 60 minutes has elapsed.)

- 12 OPEN DOOR, REMOVE FOOD, (AND PROBE IF FITTED) CLOSE DOOR.**

To Check

Time or Temperature

1. Push TIME OR TEMP Pad. Time or set temperature will be displayed.
2. Push TIME OR TEMP Pad again; next memory will be displayed.
3. Push START Pad to return to time counting or actual temperature.

Power Setting

1. Push POWER Pad. Power setting will appear in Display.
2. Push POWER Pad again; next power memory will be displayed.
3. Push START Pad to return to time counting or actual temperature.

To Change

Time or Temperature

1. Push TIME OR TEMP Pad until memory to be changed is in the Display.
2. Push CHANGE/CANCEL Pad once.
3. Enter in new time or temperature by touching Number Pads.
4. Push START.

Power

1. Push POWER Pad until memory to be changed is in display.
2. Push CHANGE/CANCEL Pad once. "HI" will appear in Display.
3. Enter new Power setting.
4. Push START Pad and oven will resume operation at new Power setting.

Example for Using and Programming the Memory

Chocolate cake

- 1 Pkt. chocolate cake mix
- 170 ml water
- 1 egg

1. Combine cake mix with water and egg in medium mixing bowl. Beat well with wooden spoon. Spread in 9-inch round glass baking dish.
2. Microwave on MEDIUM (50%) for 7 minutes.
3. Microwave on HIGH (100%) for 2-3 minutes or until toothpick inserted near centre comes out clean.

About 6 servings.

To Programme

Memory 1

1. Push TIME Pad.
2. Enter 7:00.
3. Push POWER Pad
4. Enter MEDIUM (50% power).

Memory 2

5. Push TIME Pad.
6. Enter 2.00.
7. Push START Pad.

1st Memory

The first memory will begin the cooking on MEDIUM (50%) because the cake needs to start cooking slowly. A memory tone will sound to remind you when the oven changes to the next memory. The indicator provides a visual display.

2nd Memory

The second memory automatically increases the power setting to HIGH (100%) for 2 minutes to quickly finish cooking the cake. A tone sounds three time when the time is up.

Using Delay Start

If you want the oven to start cooking at a later time, use the DELAY START feature to delay cooking up to 12 hours.

Important Delay Start Use Tips

- **SELECT FOODS CAREFULLY.** Foods which require no attention or stirring are best. Do not use foods containing milk, fish, eggs or non-frozen meat or poultry. These foods are perishable and do not hold well. Frozen meats and casseroles are recommended.
- **REDUCE COOKING TIME.** If cooking is being delayed by several hours, reduce cooking time a little because the warmer beginning food temperature will decrease normal cooking time. If food is frozen, remember to set the Memories to DEFROST (30% power), then start cooking.

Operation

- 1** Check to see that the clock is set for the current time of day. If the time of day is not correct, change it, following instructions on page 8. Then place food in the oven and close the door.
- 2** **PUSH DELAY START PAD:** Display Window will show the colon and the Delay Start Indicator Light will come on.
- 3** **SET THE DESIRED START TIME:** Push the appropriate Number Pads for time of day when the food should start cooking.
- 4** **PUSH TIME OR TEMP PAD:** The Display Window will show a colon or a "C" and the Memory 1 Indicator Light will come on. The Delay Start Indicator Light goes off.

- 5** **SET THE AMOUNT OF COOKING TIME OR TEMPERATURE:** Push the appropriate Number Pads. Set Power level by pushing POWER Pad and then the appropriate Number Pad. If 2 Memories are to be used, repeat steps 4 and 5 a second time to programme the second cooking step.
- 6** **PUSH START PAD:** Time of day will appear in the Display Window. Clock, Delay Start and Memory Indicator Lights will be on. The oven will start cooking automatically at the programmed start time. Counting down cooking time will be displayed.
- 7** **CHECK THE SETTINGS:** Push the DELAY START Pad to confirm the starting time. Push the TIME or TEMP Pad and Power Pad to confirm settings.

The Timer

The Timer feature of this oven has many uses. Use it to time standing times after microwave cooking, or mixing or beating times when preparing recipes. By programming the Timer in Memory 1, you can also delay the start of cooking of a food. This is particularly helpful during the last busy minutes before dinner time when you may forget to start cooking a food that only takes a few minutes. When using the Timer feature, there is no microwave energy or cooking in your oven. To use the Timer feature of this oven it is important to carefully follow each of the following steps.

Operation

1. PUSH THE TIME PAD.
2. SET THE DESIRED TIME.
3. PUSH THE POWER PAD.
4. PUSH THE "0" (the number next to the Timer). "00" will appear in the Display Window indicating that there is 0% power.
5. PUSH THE START PAD. Time will begin counting down in the Display Window with no cooking or heating operation of the oven. When time is up, a tone sounds three times. The time of day will appear in the Display Window, if your oven has a Time of Day Clock which has been programmed. Otherwise, the colon will remain on about 5 minutes.

NOTE: If you hear the fan start when the START Pad is pushed, you have not set the Timer properly. Push CHANGE/CANCEL pad twice and follow steps 1—5 above.

Speed Defrost with Memory

Microwaves have a difficult time penetrating frozen foods in the first few minutes and penetrate foods more easily when they are partially defrosted. The defrost time can be speeded by starting with microwave cooking on HIGH and then automatically reducing to the DEFROST setting.

To Speed Defrost With Memory:

1. Microwave on HIGH for 2 minutes per pound of dense food items.
2. Then microwave on DEFROST for 3 minutes per pound or until food is thawed. Defrost time will be greatly reduced.

Example: You would normally defrost a 4 lb. roast on DEFROST for 35 minutes. With Speed Defrost you would need only 20 minutes:

1. Microwave on HIGH for 2 minutes per pound (2 minutes x 4 pounds = 8 minutes).
2. Microwave on DEFROST for 3 minutes per pound (3 minutes x 4 pounds = 12 minutes).

Meal-In-One

Benefits of Oven Meals

The metal rack enables you to microwave a number of recipes at the same time. Saving frequent returns to the microwave oven.

Tips for Meal-In-One Cooking

- Place slow cooking food on rack; fast cooking foods on shelf. Add a very fast cooking food later as you would conventionally.
- Stagger food so that it is not directly above another food.
- Check your meal while cooking. Stir if needed and add or remove food as required for the results you desire.
- Turn or rotate dense food such as a roast.

How To

1. Where Does Food Go in the Oven?

In general, dense or long cooking foods are placed on the oven's rack where they receive most microwave energy when several foods are cooking at once. Foods that cook or heat quickly are placed on the ceramic bottom shelf where there is less energy and cooking is more gentle. Stagger food in the oven whenever possible as you do in conventional cooking. Place long and short cooking food in the oven at the same time. Add extra short

cooking food half way through and extra-extra short cooking food during the last 1 to 2 minutes.

2. Cook on High

Meals cook on 100% (HIGH) because the increased quantity of foods cuts the microwave energy available to each food. If foods contain a lot of sensitive ingredients, or less tender cuts of meat, you may need to lower the setting to 70% (MEDIUM HIGH) just as you would on the conventional range.

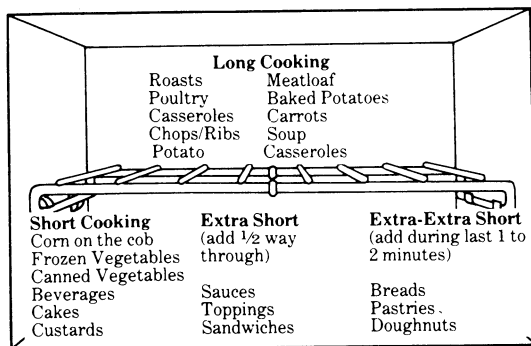
3. Decide Cooking Time

Overleaf are some typical foods you might prepare as a main dish in a meal. Follow steps 1 and 2 above using the cooking time ranges in the box (overleaf) as a guide to making your own microwave oven meals. The cooking time ranges shown, take into consideration the fact that you will be cooking vegetables, desserts, etc. along with the main dish.

When is Food Done?

Since foods cook at slightly different rates when more than one dish is cooking, one food may need to cook a few extra minutes after others have been removed. Continue cooking it alone at the chosen meal setting. Experiment to determine when to add dishes.

Check foods at first time given, remove those that are done and add more time for foods that need to continue cooking.



MEALS MICROWAVE COMMENTS
TIME RANGE

Casserole Meals	12 to 35 mins.	
Chicken Meals	25 to 35 mins.	
Scrambled Eggs & Bacon	9 to 12 mins.	Stir eggs 1/4 way through. Add time for bacon if necessary.
Fish Meals	9 to 16 mins.	
Meatloaf/	20 to 35 mins.	
Meatball Meals		
Rib/Chop Meals	25 to 40 mins.	
Roast Meals	40 to 50 mins.	
Soup & Sandwich	4 to 7 mins.	Start soup, then add sandwich last 1-2 mins. of cooking
Steak Meals	8 to 12 mins. plus preheating time for microwave grill	

Time Saver Cooking

Save even more time in the kitchen by using the convenience of Time Saver Cooking.

The oven touch control panel has a guide which lists appropriate pre-programmed settings for many commonly prepared items.

The table below gives you even further suggestions for using the Time Saver feature.

Operation

1. **OPEN THE DOOR:** The interior light comes on.
2. **PLACE FOOD IN THE OVEN:** Close the oven door.
3. **PUSH THE TIME SAVER COOK PAD:** The Time Saver Cook indicator light will come on.
4. **SELECT THE TIME SAVER programme** desired by pushing the appropriate number pad. The display window will show the duration of cooking time.
5. **PUSH THE START PAD:** The time shown in the display window will start counting down. At the end of cooking, a tone sounds three times.
6. **OPEN DOOR, REMOVE FOOD, CLOSE DOOR.**

Time Saver Cooking Guide

TIME SAVER PAD	FURTHER SUGGESTED USES	
	REHEATING	COOKING
1	2 toasted sandwiches 2 frankfurters 1 chicken joint 1 hamburger patty	1 slice bacon 25 g. butter (melted)
2	1 leftover dinner 1 large coffee/tea mug 4 toasted sandwiches 4 frankfurters 1 cup cooked rice	2 slices bacon 2 scrambled eggs
3	2 cups coffee, tea 1 cup soup, stew 3 hamburger patties	1 hamburger patty 1 ear of corn
4	2 leftover dinners 1 250 g. casserole	4 scrambled eggs 4 slices bacon 1 baked potato
5	1 meat pie 2 sausage rolls 3 chicken joints 2 cups stew, soup	2 bowls rolled oats 6 frozen fish fingers 2 ears of corn
6	1 medium pizza 1 pre-cooked quiche	500 g. hamburger mince 1 packed steamed pudding
7	2 bowls stew, soup	500 g. pork mince 250 g. fresh/frozen vegetables
8	500 g. casserole Preheat Microwave browner Grill	1 head cauliflower 2 baked potatoes 4 ears of corn
9	6 cups coffee, tea	500 g. fresh/frozen vegetables
0	2 meat pies 4 sausage rolls	750 g. fresh/ frozen vegetables 440 g. can condensed soup

Time Saver Defrosting

Defrosting is faster and easier with the Time Saver Defrosting feature. When defrosting frozen foods, a HIGH Variable Power setting can be used initially to break down the ice crystals. But as the ice begins to melt, it is necessary to reduce the microwave power to keep the food from starting to cook before defrosting is complete. This process is done automatically when using Time Saver Defrosting. It begins defrosting at 80% power, then gradually reduces power to 60%, 40% and 20%. Food is quickly and evenly defrosted.

Do not confuse Time Saver Defrosting with the DEFROST setting. DEFROST is a low energy setting used to prepare foods needing slow, gentle cooking. You can also use the DEFROST setting to reheat many frozen convenience foods and to defrost small bread items.

Important Time Saver Defrosting

Use Tips

- Thaw fish, seafood, meat or poultry in original closed packages.
- Metal clips may be left in poultry. Twisters must be removed from bags and may be replaced with rubber bands.
- If turning is specified on the guide start defrosting whole poultry breast side up, and meat tray side up.
- Food should still be somewhat icy in the centre when removed from the oven because the edges of the food will begin cooking if microwaves thaw it completely.
- Guide specifies standing time and standing techniques which complete thawing.
- Using Memory 1 and 2, you can programme a stand time or cooking time or both to automatically follow Time Saver Defrosting.

Operation

1. OPEN DOOR: Interior light will come on.
2. Place food in oven and close the door.
3. PUSH TIME SAVER DEFROST PAD: Display will show a colon and the Time Saver Defrost Indicator Light will come on.
4. SET DEFROST TIME BY PUSHING THE APPROPRIATE NUMBER PADS: The time you set will appear in the Display Window. For best results, use the guides on the Touch Control Panel and on pages 27 & 28 in place of the cookbook instructions to select defrost times.
5. PUSH THE START PAD: The Time Saver Defrost Indicator Light will remain on. Time will start counting down. The oven will automatically reduce power levels in equal time stages (80%, 60%, 40% and finally 20%).
When time is up a tone will sound three times and defrosting turns off automatically.

Time Saver Defrosting Guide

CUT AND WEIGHT	TIME SAVER DEFROSTING TIME	STANDING TIME	SPECIAL TECHNIQUES
FISH			
Fillets 500 g.	4 min.	5 min.	Carefully separate and rinse under cold running water to finish thawing
1 kg. Whole Fish	9 to 10 min.	5 min.	-
¾-1 kg.	10 to 12 min.	5 min.	See Fillets, above
MEAT			
BEEF			
Mince			
500 g.	5 to 5½ min.	5 min.	-
1 kg.	9 to 10 min.	5 min.	-
Roasts			
1½-2 kg.	5 min. per 500 g.	1 hr.	Turn over once
3-4 kg.	5 min. per 500 g.	1½ hr.	Turn over once
Short Ribs			
1-1½ kg.	5 to 7 min.	5 min.	-
Steaks			
Tender Cuts			
1-1½ kg.	6 to 7 min.	5 min.	-
Less Tender Cuts			
¾-1½ kg.	9 to 10 min.	10 min.	-
Stewing Meat			
½-1 kg.	7 to 9 min.	10 min.	-
LAMB			
Roast, Leg or shoulder			
2 kg.	5 min per 500 g.	1½ hr.	Turn over once
Shanks			
500 g.	4 to 5 min.	5 min.	-
PORK			
Bacon			
500 g.	4 to 5 min.	5 min.	-
Chops			
½-1 kg.	8 to 9 min.	10 min.	-
Roast or Ham			
1½-2½ kg.	5 min per 500 g.	1 hr.	Turn over once
Sausage			
Links, uncooked			
500 g.	2½ to 3 min.	5 min.	-
Mince			
500 g.	4-5 min.	5 min.	-

continued on page 28

Disregard Defrosting Times In Cookbook
When Using Time Saver Defrost

Time Saver Defrosting Guide

CUT AND WEIGHT	TIME SAVER DEFROSTING TIME	STANDING TIME	SPECIAL TECHNIQUES
PORK, contd.			
Ribs 1-1½ kg.	10 to 12 min.	10 min	-
Frankfurters 500 g.	4 to 5 min.	5 min.	-
CHICKEN			
Whole	5 to 6 min. per 500 g.	30 min.	-
Pieces	4 to 6 min. per 500 g.	15 min.	Stand in original container in cold water
TURKEY			
Breast, bone in 2-4 kg.	4 min. per 500 g.	1 hr.	-
Drumsticks or Thighs 1 kg.	10 to 12 min.	20 min.	-
1-1½ kg.	16 to 18 min.	30 min.	-
Whole 4-6 kg.	4 min. per 500 g.	1 hr.	Stand in original container in cold water
6-10 kg.	4 min. per 500 g.	1½-2 hrs.	Turn large birds over once during thawing
SEAFOOD			
Lobster Tails 250 g.	4 to 5 min.	5 min.	Carefully separate and rinse under cold running water to finish thawing
Shrimp 250 g.	4 to 5 min.	5 min.	-
500 g.	7 to 8 min.	5 min.	-

Disregard Defrosting Times in Cookbook
When Using Time Saver Defrost

Cleaning & Maintenance

Microwave Oven Cleaning

Your microwave oven requires a minimum of maintenance. To keep it free from grease and soil build-up, the microwave oven should be cleaned with a damp cloth after each use. A soft nail brush can be used to remove stubborn soils. Use only a mild detergent, water and a soft, clean cloth to clean the oven face and interior surfaces. Odours can be eliminated from the inside of the oven by boiling a solution of one cup of water and several tablespoons of lemon juice in the oven for 5-7 minutes. This also helps in loosening any soil which has dried on the oven. Be careful not to scratch the door and interior surface. Wipe out excess moisture after each use. Ceramic cleaners can be used to clean the shelf.

Do Not Use: Abrasive cleaners, cleaning pads or steel wool.

Cleaning the Temperature Probe

Remove the probe from the oven. Wipe food or liquid from the probe with a damp cloth. Dry completely after use and washing. **DO NOT** clean temperature probe in the dishwasher.

Cleaning of Metal Rack

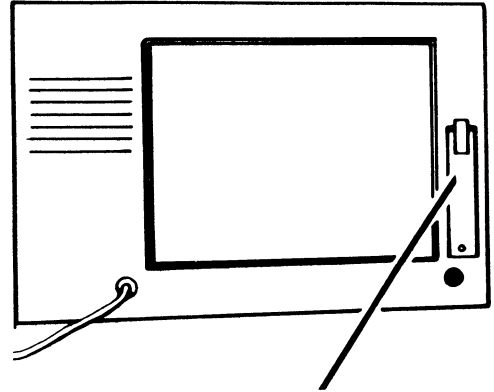
The oven rack should be washed with a mild soap and soft cloth or soft nail brush. Be sure to dry completely after washing.

Oven Should Not Be Used For Storage

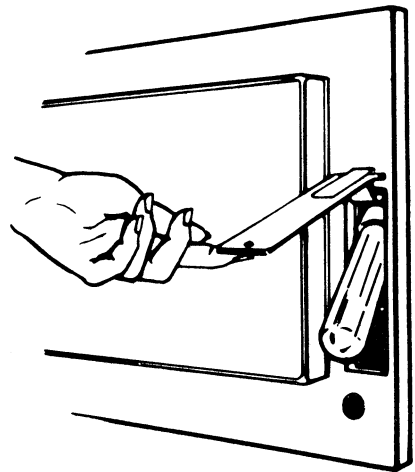
Be sure the oven is cleaned carefully after every use and is not used for storage of paper products, books or cooking utensils.

Replacement of Oven Interior Light

The light bulb in the oven interior is easily replaced. First, unplug the oven. Simply unscrew and open the "Lamp Access Panel" on the back of the oven and pull up. Replace with a 25 watt Show Case Lamp (T-10) available at any hardware store or local Zanussi service agent.



Lamp Access Panel



Questions and Answers

Q. What happens if I accidentally operate the microwave oven with no food in it?

A. While such accidental use of short periods of time does not damage the magnetron, it is not recommended.

Q. Is eating food cooked in a microwave oven harmful?

A. Microwaves are simply a source of heat energy just like gas and electricity. All three produce cooking in the food itself. Food cooked in a microwave oven is not harmful to eat.

Q. Why do I have moisture in the microwave oven after cooking?

A. The moisture on the inside of your microwave oven is normal and nothing to worry about. It is caused by the steam from the cooking food hitting a cool oven surface. Wipe excess moisture from inside of oven after each use.

Q. Can I operate my oven on “no-load” (no food in oven) with the rack in the oven?

A. No. This is not recommended and may result in damage to the rack or oven.

Q. What causes the oven interior light to dim when using Variable Power?

A. This is normal and indicates the oven is operating properly and is cycling properly.

Q. When cooking a single item, should I leave the rack in the oven?

A. Remove rack from oven when cooking one food.

Q. When cooking a complete meal, sometimes one item is not done the way I like it; what should I do?

A. If one of the foods is not done to your preference, simply remove the other food items and cook the remaining food a little longer on the same Power setting.

Q. Foods cooked in a microwave oven seem to cool off faster than conventionally cooked foods. Why is that?

A. Often the dish used to store foods in the refrigerator is used for heating in the microwave oven. In this case, the cold dish absorbs heat from the food. It may be necessary to heat the food for additional time.

What happens if something goes wrong

Power cuts

Should the electricity fail for any reason remember to reset the clock to the right time when the power is resumed.

Important:

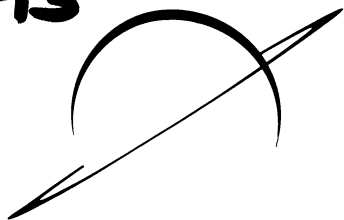
If the oven does not come on:

- check that the appliance is connected correctly;
- check that the switch from the supply to the appliance is ON;
- replace the fuse in the socket, where present, with another of the appropriate rating;
- check that the fuse in the fuse box is intact.

If after all these checks the appliance still does not work, call your local Zanussi Network service centre listed in the telephone directory. It helps to jot down the address and telephone number in the space below.

Never attempt to remove the rear panel of the oven or tamper with the oven in any way.

A3



CUSTOMER SERVICE
LIBRARY
MASTER COPY

ZANUSSI

Instructions for installation of ZM700 built-in Microwave Oven

A3

Contents

Specifications	3
Furniture Dimensions	4
Electrical Connection	5
Installation	7
Fitting the Ducting Kit	8
Fitting the Baffle and the Raised Feet	8
Fittings to the Cabinet	9
Fitting of Optional Storage Drawer	10

IMPORTANT: The installation of the oven and connecting it to electricity must always be done by competent installers and to standards and regulations currently in force.

Technical Data

Exterior Dimensions:	Height F.S. Mode	381mm, 15"
	Height B.I. Mode	448mm, 17 ⁵ / ₈ "
	Width	555mm, 21 ⁷ / ₈ "
	Depth	483mm, 19"
Interior Dimensions:	Height	244mm, 9 ⁵ / ₈ "
	Width	337mm, 13 ¹ / ₄ "
	Depth	432mm, 17"
Nett weight		30.9kg, 68 lbs.
Total power absorbed		1500W
Oscillating frequency		2450 MHz
Supply voltage		240V
Supply frequency		50 Hz

Furniture Dimensions

The ZM700 Microwave Oven can be installed in a number of different situations and housings by virtue of being self venting and cooling. Some of the more common combinations are detailed below.

The most important factors to note are the dimensions and characteristics of both the aperture and the decorative outer frame.

Tall housing cabinet (special aperture).

It is recommended that the oven is installed at approximately worktop level, as per Fig. 1, for practical and aesthetic reasons.

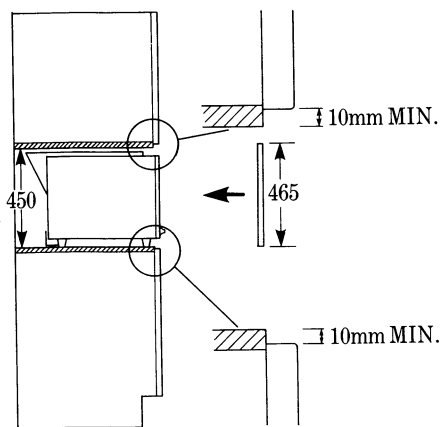


FIG. 1.

Tall housing cabinet (standard aperture).

If a tall housing cabinet with a standard aperture (single oven 580-600 mm height) is to be used, it will be necessary to fit an infill panel to ensure that the aperture size is reduced to 450 mm at the front as per Fig. 2.

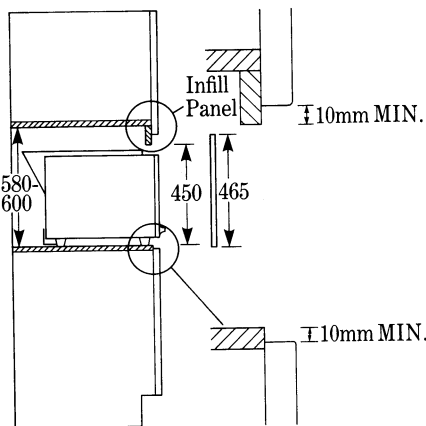


FIG. 2.

Combining Microwave and Single Oven

The ZM700 can be combined with the Zanussi FB510 single oven using the dimensions given in Fig. 3.

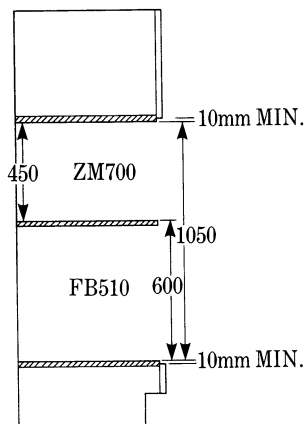


FIG. 3.

The ZM700 can be combined with most makes of single oven incorporating a cooling fan. If using an oven other than the Zanussi FB510 please refer to the manufacturers requirements for installation requirements. Please note: Zanussi will not be liable for any aesthetical differences which then occur.

Instructions for the installer

The following instructions are meant for a qualified installer and should assist him in carrying out all installation operations in the correct way and in accordance with existing laws and regulations.


Please note: When building-in, it is recommended that the electrical connection is made immediately prior to final installation as detailed on page 7.

Electrical connection

- 1) The microwave oven incorporates a plugtop suitable for the load and voltage shown on the rating plate.
- 2) The plug moulded onto the cord incorporates a fuse. For replacement, use a 13 Amp BS 1362 fuse. Only ASTA approved fuses should be used. The fuse cover/carrier must be replaced in the event of changing fuse.
- 3) The right fuse cover/carrier colour is the one shown by the coloured insert at the base of the plug. The plug must not be used if the fuse cover/carrier is lost.
- 4) A replacement cover/carrier must be obtained from Zanussi Service Agents whose addresses are listed on the attached "Zanussi Network Service & Spares Leaflet".
- 5) If the plug is not suitable it must be cut off and the appropriate plug fitted. The cut off plug should be disposed of to prevent the hazard of electric shocks in case it should be plugged into a 13 Amp socket in another part of your home.

6) **Important:** The wires in this mains lead are coloured in accordance with the following code:

GREEN AND YELLOW — Earth
BLUE — Neutral
BROWN — Live

7) If you fit your own plug, the colours of the wires in the mains lead of your appliance may not correspond with the markings identifying the terminals in your plug, this is what you have to do: connect the green and yellow (earth) wire to the terminal in the plug which is marked with the letter "E" or the earth  symbol or coloured green, or green and yellow.

Connect the blue (neutral) wire to the terminal in the plug which is marked with the letter "N" or coloured black.

Connect the brown (live) wire to the terminal which is marked with the letter "L" or coloured red.

8) **This appliance must be earthed.**

Before the appliance is connected check that: the fuse and the domestic installation are suitable to carry the electric load of this appliance (see the rating plate); the power supply is properly earthed according to existing rules and regulations.

9) **The manufacturers disclaim any responsibility should these safety instructions not be carried out.**

10) **Important:** After installation and electrical connection of the appliance, place the cable in such a way that it cannot at any point reach a temperature more than 50°C above the ambient temperature.

11) **Warning:** For reasons of safety it is strictly forbidden to remove the rear panel to gain access to the oven terminal board; any extension should only be made by using the standardized plug and the external cable, and it should be suitable to carry the expected load.

12) The appliance meets the requirements laid down in EEC Directive No. 76/889 dated 4/11/1976 relating to the suppression of radio and TV interference.

If you are building in an electric hob or a conventional oven at the same time, the microwave oven should have an entirely separate electrical connection, which is a must both for electrotechnical reasons and to ensure an easier frontal extractability of the microwave oven.

Important: after installation and electrical connection of the appliance, place the cable in such a way that it cannot at any point reach a temperature more than 50 °C above the ambient temperature.

The length of the cable must make it possible, in the event of a service call, to extract the microwave oven from the kitchen cabinet and, also, to lay it down on a nearby surface without having to disconnect it from the electric supply. The electric supply cable, positioned behind the kitchen cabinet, must not be accessible without the use of tools and, furthermore, it must be protected against the possibility of mechanical damage as well as from humidity.

If the cable is extra-long, the excess part should be coiled up neatly and arranged as explained above.

Installation

The ZM700 is supplied ready to operate in a free-standing mode. Should you wish to use it in this mode simply place it on a flat level surface and remove all materials from the oven interior. In this mode the electrical connection can be made to a convenient 13 Amp socket.

Building-in instructions

Firstly, ensure that the characteristics of the furniture housing is in accordance with those detailed in the 'furniture dimension' section (pg. 4). If the optional storage drawer is also to be fitted please refer to the section "fitting of optional storage drawer" (pg. 10).

To install your new oven please follow carefully the instructions given below.

1. Remove all packaging materials and ensure that all materials are removed from the oven interior.
2. Fit the ducting kit, baffle and raised feet to the ovens as detailed on page 8.
3. Fit the stabilizer block, and the feet locating template (both supplied with the oven) to the housing cabinet as detailed on page 9.
4. Make the electrical connection as detailed in the section 'Electrical connections' (pgs. 5 and 6).
5. Locate the oven into the prepared cabinet aperture ensuring that it is on an even level surface and fit the external decor frames as detailed on page 9.

Fitting the Ducting Kit

To fit the ducting kit (A - Fig. 4) to the oven, first place the oven upright on a flat surface. Second, remove the cover plate (B - Fig. 4) fitted to the rear of the oven by unscrewing the fixing screws securing it. Finally, fit the ducting kit (supplied with the oven) to the rear of the oven using the screws that have been removed.

Please note that the ducting kit will rest on the top of the oven and is not required to be secured to the top of the oven.

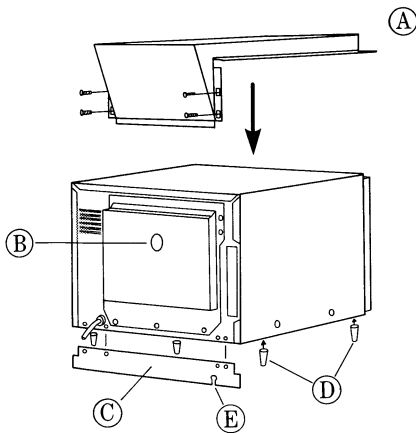


FIG. 4.

Fitting the Baffle and the Raised Feet

To fit the baffle and the raised feet to the oven, first place the oven on its side on a flat surface. Second fit the baffle (C - Fig. 4, supplied with the oven) to the bottom rear of the oven, using the existing screws already in-situ. Finally, unscrew the four feet from the underside of the oven (D - Fig. 4) and replace with the four raised feet supplied with the oven as shown in Fig. 4.

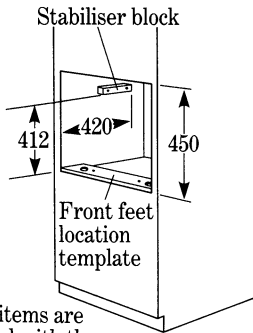
N.B. Do not pass supply cable through slot (E - Fig. 4).

The oven is now ready for installation.

Fittings to the Cabinet

A stabiliser block and a front feet location template are supplied with the oven to ensure accurate and easy fitting of the oven. It is therefore necessary to prepare the housing cabinet as detailed below, prior to final installation.

First, fit the stabiliser block using the 30mm screws provided by screwing into either the left or right hand end panel of the housing cabinet following the dimensions given in Fig. 5. Then, fit the front feet location template flush to leading front edge of the floor of the aperture, ensuring that the template front edge (marked by an arrow) is centralised at the front edge of the shelf as detailed in Fig. 5.



These items are supplied with the appliance

FIG. 5.

The ZM700 is now ready for final installation.

To do this, first ensure that the electrical connection has been made.

Second, insert the oven into the prepared aperture as shown in Fig. 6, ensuring that the two front feet are located in the front feet location template and the oven fits snugly under the stabiliser block.

Finally, fit the external decor frame (supplied with the oven) to the leading front edges of the housing cabinet end panels, by screwing through the four holes (one in each corner) provided in the frame, as shown in Fig. 6.

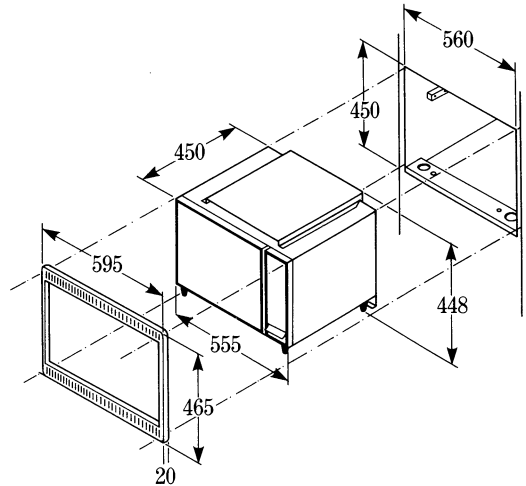


FIG. 6.

The Optional Drawer Unit

The optional drawer unit is available as an accessory to provide a handy storage area to house microwave parts (shelf, meat probe etc.) within a close proximity of the oven. This can be built-in directly underneath the oven unit provided there is a minimum aperture height of 110mm and a fixed width of 560mm (Fig. 7). One application could be to continue a line of kitchen drawer fronts. The drawer front (which is supplied by the fitter) should have a minimum height of 127mm which can be increased to match other drawer heights.

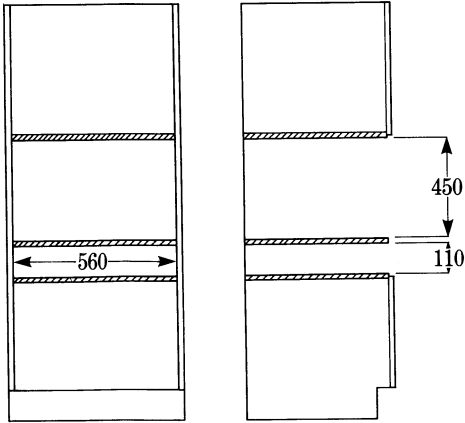


FIG. 7.

Installing the drawer

To install the drawer follow the instructions outlined below:

- 1) Firstly, secure the plastic spacer (A - Fig. 8) to the furniture drawer front by using the three flathead wood screws (B - Fig. 8) at the dimensions shown on the drawer front (line B - Fig. 9).

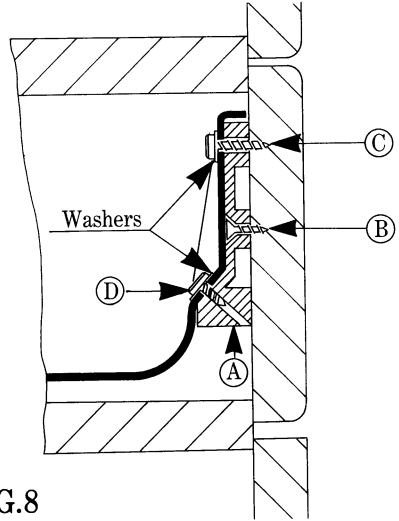


FIG. 8

- 2) Now attach the drawer basket through the plastic spacer to the drawer front using the three long wood screws with washers (C - Fig. 8) to the dimensions shown (line A - Fig. 9) and using the three self-tapping screws (D - Fig. 8) secure the drawer basket to the spacer.

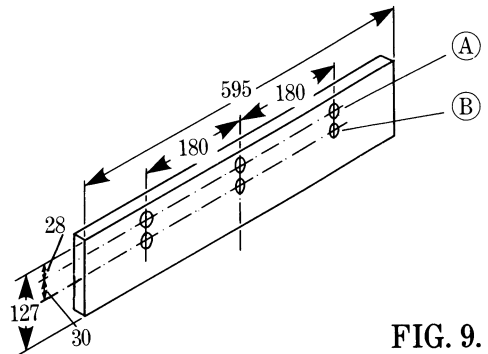


FIG. 9.

3) Secure the guide supports to both sides of the cabinet walls at dimensions given in Fig. 10.

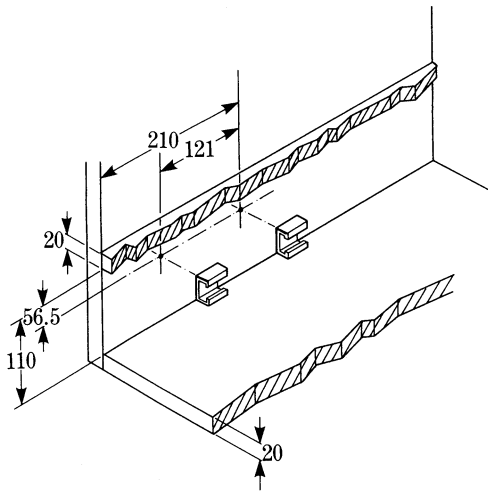


FIG. 10

4) Slide the drawer rails into the guide supports (Fig. 11) then bend part marked 'A' forward, until it prevents the rail from sliding out of the guide.

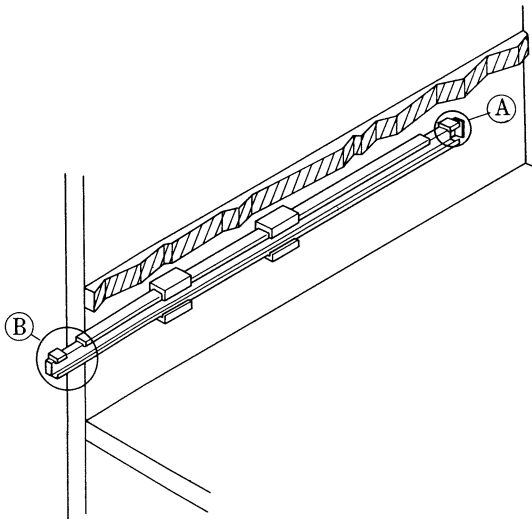


FIG. 11

5) Insert the drawer basket assembly into the drawer rails by firstly slotting the rear rollers into the opening marked 'B' (Fig. 11) then push in the basket until you are able to drop in the second set of rollers.

The drawer unit should now be fully assembled as in Fig. 12. Check that the open/closing operation is a smooth action.

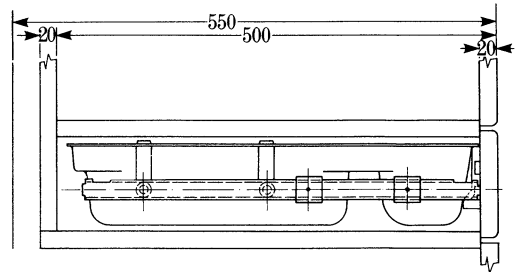
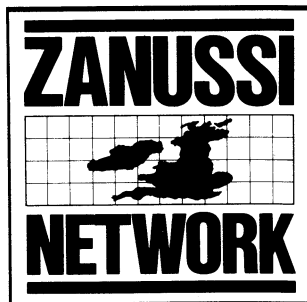


FIG. 12

N.B. Notice to user: when operating appliances above and below the drawer, ensure the drawer unit is fully closed.

Servicing

The servicing of your Zanussi microwave unit should be handled by the Zanussi Network - an organisation consisting of over 80 service centres staffed by teams of highly trained qualified engineers. A complete list of centres is supplied with your appliance, alternatively to locate your local centre refer to your telephone directory under 'Zanussi'.



ZANUSSI GUARANTEE CONDITIONS

This guarantee is in addition to your statutory and other legal rights which will not be excluded or in any way diminished by the return of the enclosed card.

We, IAZ International (UK) Ltd, guarantee that if within twelve months of the date of the purchase, this ZANUSSI appliance or any part thereof is proved to be defective by reason only of faulty workmanship or materials we will at our option repair or replace the same **FREE OF ANY CHARGE** for labour, materials or carriage on condition that:

- The appliance has been correctly installed and used only on the electricity supply stated on rating plate.
- The appliance has been used for normal domestic purposes and in accordance with the manufacturer's operating and maintenance instructions.
- The appliance has not been serviced, maintained, repaired, taken apart or tampered with by any person not authorised by us.

- The appliance is still in the possession of the original purchaser.
- Any appliance or defective part replaced shall become our property.

This guarantee does not cover any damage caused during transportation or the replacement of any light bulbs or removable parts of glass or plastic.

Should you require service on your Zanussi appliance consult the enclosed list for your nearest Zanussi network centre. If the product is under first year guarantee then you will be required to produce proof of date of purchase to the engineer. If it is under 5 year cover then you must show your cover card to the engineer.

Please ensure that the enclosed pre-addressed card is stamped, completed in full and forwarded to IAZ International (UK) Ltd, to enable the guarantee to be recorded. Also complete the space below as your own record of the guarantee.

GUARANTEE RECORD

Appliance purchased from _____ on _____
Guarantee card no _____ Model no _____
Serial no _____ (These details may be taken from your Guarantee Record Card)
Your name _____
Address _____

